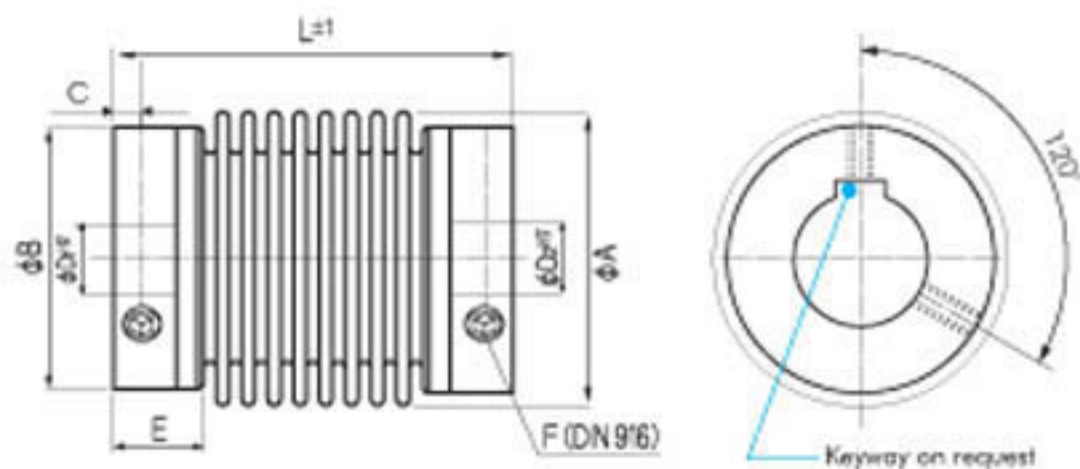


Metal Bellows Coupling

with Set Screws



Order Code: **KB 1 / 45 - 40 - 10 - 18 - S**

Type / Size Length L Ø D1 (H7) Ø D2 (H7) Options

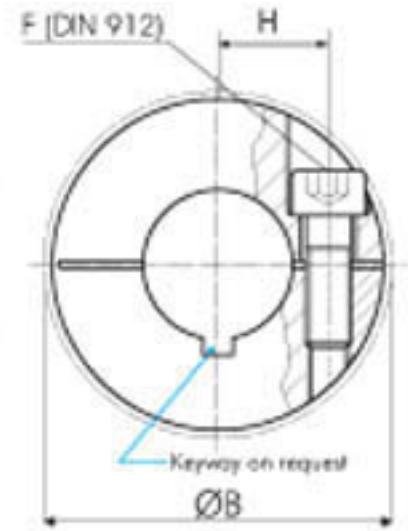
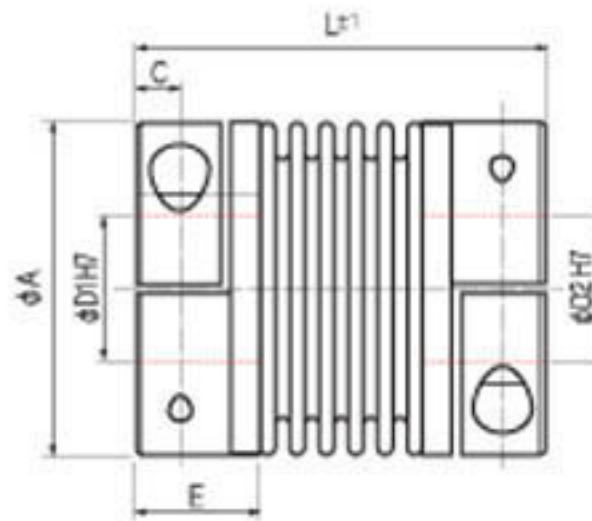
	Torque T _{CM} (Nm)	Dimensions (mm)							Technical Ratings							
		L	Ø A	D1/D2	Ø B	C	E	F	Mass [g]	Moment of Inertia J (g cm ²)	Spring Stiffness			Misalignment		
		Length (±1)	Outer Ø	Bore Sizes (H7) min-max	Hub Ø		Hub- Length	Screw DIN 914 TA Nm			torsional C _t (Nm/rod)	radial C _r (N/mm)	axial C _a (N/mm)	radial ΔK _r (mm)	axial ΔK _a (mm)	angular ΔK _w (°)
KB1/1	0.1	23	10	1-4 3*	10	2	6	M3 0.5	3	0.45	65	10	14	0.12	0.2	1.2
KB1/5	0.5	19	15	3-8 6*	13.5	2	6	M3	4	1.3	260	43	13	0.1	0.2	1
		0.5						4.5	1.5	200	18	10	0.15	0.3	1.5	
		0.5						5	1.6	160	9	8	0.2	0.4	2	
KB1/10	1	21	15	3-8 6*	13.5	2	6	M3	5.5	1.8	510	74	27	0.1	0.2	1
		0.5						6	2	380	31	20	0.15	0.3	1.5	
		0.5						7	2.3	310	16	16	0.2	0.4	2	
KB1/15	1.5	26	19	3-12 6*	19	3	8	M4	10	6	750	59	15	0.1	0.3	1.5
		1.5						12	7.4	700	20	9	0.15	0.4	2	
KB1/20	2	22	24	3-14 6/10*	21.5	3	6	M4	11	9.2	1500	67	12	0.15	0.3	1.5
		1.5						13	12.6	1300	21	11	0.2	0.4	1.5	
		1.5						15	13.5	1050	11	9	0.25	0.5	2	
KB1/45	4.5	40	32	6-18 10*	29	4	12	M6	44	68	6500	168	32	0.1	0.3	1.5
		3						50	79	4200	41	20	0.2	0.5	2	
KB1/100	10	45	40	6-24 10*	36	4	12	M6	60	150	8100	120	27	0.15	0.4	1.5
		3						79	210	6800	29	17	0.3	0.6	2	

*Standard Bore Sizes (H7)

- Speed: max. 15000 min⁻¹
- Hub: Bore Tolerance: H7 Keyway acc. DIN 6885 optional
- Material: Bellows - Stainless Steel
Hub - Aluminium (also available in Stainless Steel)
- Temperature Range: -30° – 120° C

Metal Bellows Coupling

with Collet Clamp



Order Code: KB 2 / 45 - 50 - 10 - 16 - S

Type / Size Length L \varnothing D1 (H7) \varnothing D2 (H7) Options

	Torque T_{CN} (Nm)	Dimensions (mm)							Technical Ratings								
		L	\varnothing A	D1/D2	H	C	\varnothing B	E	F	Mass (g)	Moment of Inertia J (g cm ²)	Spring Stiffness			Misalignment		
		Length (±1)	Outer Ø	Bore Sizes (H7) <small>min - max</small>			Max. Ø	Hub- length	Screw DIN 912 T _A (N·m)			torsional C _t (Nm/rod)	radial C _r (N/mm)	axial C _a (N/mm)	radial ΔK_r (mm)	axial ΔK_a (mm)	angular ΔK_w (°)
KB2/1	0.1	25	10	1-4 3*	3.4	2	11	7	M1.6	3	0.5	65	10	14	0.12	0.2	1.2
KB2/5	0.5	21	15.5	3-7 6*	5.2	2.5	17.5	8	M2	7.5	2.7	260	43	13	0.1	0.2	1
		0.43							7.8	2.8	200	18	10	0.15	0.3	1.5	
									8.2	3	160	9	8	0.2	0.4	2	
KB2/10	1	23	15.5	3-8 6*	5.2	2.5	17.5	8	M2	9	3.1	510	74	27	0.1	0.2	1
		0.43							9.3	3.4	380	31	20	0.15	0.3	1.5	
									10	3.7	310	16	16	0.2	0.4	2	
KB2/15	1.5	26	20	3-10 6*	7	3	21	9	M2.5	13	8	750	59	15	0.1	0.3	1.5
		0.85							15	9.3	700	20	9	0.15	0.4	2	
KB2/20	2	32	25	3-14 6/10*	9	3.5	27	11	M3	29	24	1500	67	12	0.15	0.3	1.5
									32	27	1300	21	11	0.2	0.4	1.5	
		2							33	29	1050	11	9	0.25	0.5	2	
KB2/45	4.5	41	32.5	6-16 10*	12	5	34	14	M4	61	100	6500	168	32	0.1	0.3	1.5
		3.5							67	112	4200	41	20	0.2	0.5	2	
KB2/100	10	48	40.5	6-22 10*	15.5	5	41.5	14	M4	86	233	8100	120	27	0.15	0.4	1.5
		4.5							106	290	6800	29	17	0.3	0.6	2	

*Standard Bore Sizes (H7)

Speed: max. 15000 min⁻¹

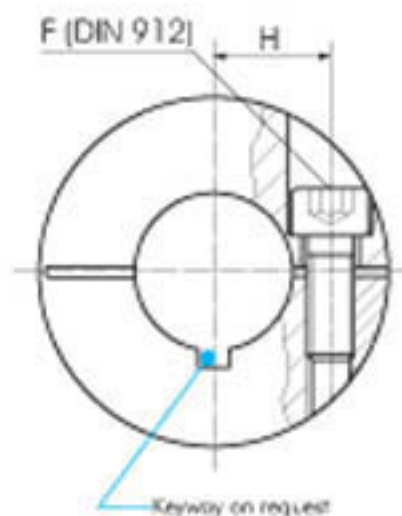
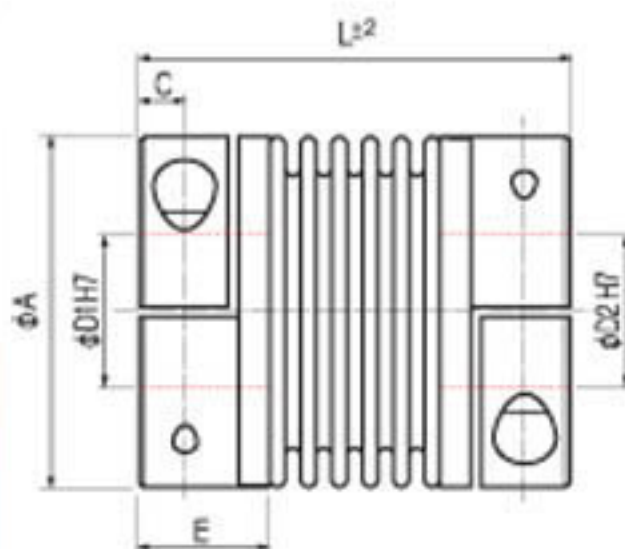
Hub: Bore Tolerance: H7 Keyway acc. DIN 6885 optional

Material: Bellows - Stainless Steel
Hub - Aluminium (also available in Stainless Steel)

Temperature Range: -30° ~ 120° C

Metal Bellows Coupling

with collet Clamps



Order Code: KB 4 / 60 - 89 - 12 - 32 - S
 Type / Size Length $\varnothing D1$ (H7) $\varnothing D2$ (H7) Options

	Torque T_{av} (N·m)	Dimensions (mm)							Technical Ratings								
		L Length (±2)	$\varnothing A$ Outer Ø	D1/D2 Bore Sizes (H7)	H	C	E	F Screw (DIN 912) TA.04.04	Mass (kg)	Moment of Inertia J (kg·m ²)	Spring Stiffness			Misalignment			max Speed rpm
											torsional C _t (Nm/rad)	radial C _r (N/mm)	axial C _a (N/mm)	radial ΔKr (mm)	axial ΔKa (mm)	angular ΔKw (°)	
KB4/18	18	63	45	10-25.4	17	5.5	19.5	M5	0.1	0.04	20	205	50	0.2	0.5	1.5	12800
		71						8	0.15	0.05	15	82	36	0.25	0.5	2	12800
KB4/30	30	65	56	10-30	20	7.5	24.5	M6	0.3	0.15	38	720	50	0.15	0.6	1.5	10300
		73						15	0.32	0.16	28	225	28	0.25	1	2	10300
KB4/60	60	79	66	12-32	23	10	29	M8	0.5	0.33	75	1150	90	0.15	0.6	1.5	8700
		89						40	0.6	0.36	50	340	50	0.25	1	2	8700
KB4/80	80	91	82	14-42	28	11	33.5	M10	2.3	2	128	1200	80	0.2	0.5	1.5	6900
		102						72	2.4	2.1	75	400	50	0.25	0.8	2	6900
KB4/150	150	91	82	19-42	28	11	33.5	M10	2.3	2	155	2020	145	0.2	0.5	1.5	6900
		102						84	2.4	2.1	105	595	85	0.25	0.5	2	6900
KB4/200	200	101	90	22-45	31	13	38	M12	2.6	3.3	175	2500	145	0.2	0.5	1.5	6400
		113						125	2.7	3.5	120	460	82	0.25	0.8	2	6400
KB4/300	300	105	110	30-60	39	13	38	M12	3.6	7.3	502	6300	280	0.2	0.5	1.5	6000
		116						145	3.7	7.5	285	1400	145	0.25	0.8	2	6000
KB4/500	500	112	122	35-65	42	15	42	M12	5.1	12.4	690	7790	100	0.2	0.5	1.5	5000
		123						145	5.2	12.7	320	970	85	0.25	1	2	5000

Material: Bellows - Stainless Steel
 Hub (KB4/18, KB4/30, KB4/60) Aluminium (also available in Stainless Steel)
 Hub (KB4/80, KB4/150, KB4/200, KB4/300, KB4/500) Steel (also available in Stainless Steel)

Temperature Range: -30° ~ 120° C